



T137-V3

AC Electric Tow Tractor



The Charlotte Model T137-V3 Tow Tractor is our newest design of our best selling T137 line of tractors. It is a self propelled battery powered electric support vehicle designed to tow a variety of material handling carts and dollies. Power for the main drive is supplied by a 40 hp (30 kw) high efficiency/low maintenance AC motor which is coupled directly to the rear axle. The unit has excellent visibility and has a maximum speed of 18 mph (29 km/h) when empty. Drawbar capacity is 4000 lb (1814 kg).

Options include: Complete cab assembly with heater/defroster, mirrors, wiper, and vinyl doors, and power assisted master cylinder.

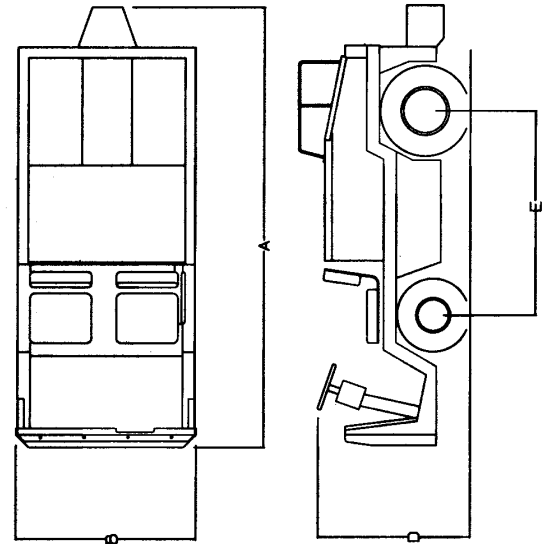
STANDARD FEATURES

- Trusted Design With Improvements
- New All-Steel Dash For More Durable Operator Environment
- More Powerful Hydraulic Braking
- New Front Axle Design Improves Ground Clearance / Features Larger Brake Calipers
- Power Steering by Hydraulic Accumulator Provides Quiet Operation
- Highly Maneuverable – 117" Turning Radius
- Inching Device

T137-V3

TECHNICAL CHARACTERISTICS

Manufacturer	Manufacturer		Charlotte of America	
Model	Manufacturer's Designation		T137-V3	
Energy Source	Battery	Volts	80	
Battery Capacity	Ampere Hour Range	AH	500 – 625	
Battery Weight	Maximum	lb / kg	3327 / 1512	
	Minimum	lb / kg	2556 / 1162	
Controller	Manufacturer		Curtis	
	Model		1238	
80 Volt AC MOSFET controller with CAN buss and serial communication				
Motor	Manufacturer		ABM	
	Rating @ 80 Volts	hp / kw	40.0 / 30.0	
	Rating Speed	rpm	1400	
Dimensions	Length w/Hitch Extension (A)	in / mm	124.6 / 3164	
	Length w/o Hitch Extension	in / mm	121.7 / 3090	
	Width (B)	in / mm	52.0 / 1320	
	Height with Cab (C)	in / mm	69.5 / 1765	
	Height w/o Cab (D)	in / mm	48.4 / 1230	
	Sitting Height	in / mm	30.3 / 770	
	Outside Turning Radius	in / mm	117.1 / 2975	
Performance	Speed Empty	mph / km/h	18.0 / 29.0	
	Rated Tractive Effort w/3320# Battery	lb / kg	4000 / 1814	
	Wt. Front/Rear w/3320# Battery	lb / kg	2877/1308-3973/1808	
Chassis	Frame Mfg. W/ Jigs & Fixtures		Yes	
	Auto Design Wiring Harness		Yes	
	Wheels Front/Rear		Heavy Duty Split Ring	
	Tires Front		6.00R X 9	
	Tires Rear		7.00R X 12	
	Wheel Base C/L (E)	in / mm	58.7 / 1490	
	Track Width C/L Front/Rear	in / mm	43.3/1100-42.1/1070	
	Ground Clearance	in / mm	5.9 / 150	
	Service Brakes	Front		Disc
		Rear		Disc (Standard) Drum (Optional)
	Parking Brake			Rear Axle Brakes
	Suspension	Front		Leaf Springs / Shock Absorbers
		Rear		Leaf Springs
Drive Axle	Motor Direct Coupled To Axle		Yes	
	Reduction In Differential		Yes	
	Reduction		17.45:1	



Charlotte America

P.O. Box 968
600 Mountain Lane
Bluefield, VA 24605
Phone: (276) 326-1510
Fax: (276) 326-1602
e-mail: equipmentsales@charlatteus.com

Charlotte France

Z.I. – Route du Boutoir
89210 Briennon sur Armancon (France)
Phone: (33) 386 43 01 30
Fax: (33) 386 43 04 66
e-mail: contact@charlattemanutention.fayat.com

Charlotte United Kingdom

LSUK Building
Spindle Way
RH10 1TG Crawley West Sussex
United Kingdom
Phone: (44) 01 293 529 640
e-mail: ukparts@charlattemanutention.fayat.com

These descriptions are given as an indication only and do not represent a commitment